

Wye “Y” Strainers



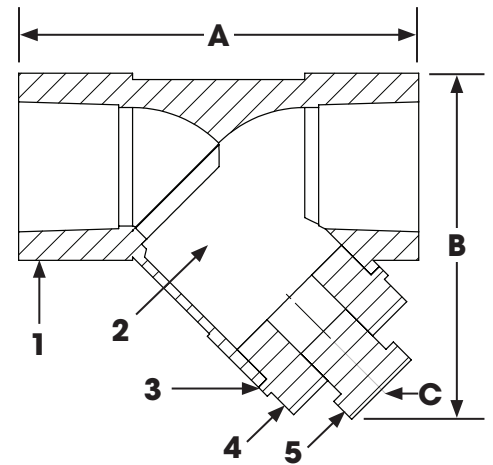
Landscape Products 3/4", 1", 1-1/2" and 2" Wye “Y” strainers are ideal for use on potable water lines where “lead free” fittings are required. These strainers are designed to filter sediment and debris to protect backflow preventers, regulators and delicate equipment from potential failure.

Product Features

- Available in 3/4", 1", 1-1/2" and 2" models.
- Perfect for commercial and residential landscape irrigation systems, swimming pools and various plumbing applications.
- Materials
 - Access Cover – Cast Bronze ASTM B 806
 - Main body – Cast Bronze ASTM B 806
 - Internal Screen – 20 Mesh material in Stainless Steel S/S304
- Pressure and temperature ratings
 - Pressure 400 PSI
 - Working Temperature 14°F to 248°F

*LEAD FREE

Meets the requirements for NSF/ANSI 61 – the wetted surfaces of the LP Wye “Y” Strainer contains less than 0.25 percent by weighted average. This complies with the highest state codes and standards that require pipe/plumbing fixtures and fittings be “lead free.”



List of Components

Item	Description	Material
1	Body	C87850
2	Strainer & Liners	S/S304
3	Gasket	EDPM A70° (NSF)
4	Bottom Plug	C87850
5	Pipe Plug	C87850

Approximate Deminsions

SKU	Size (in)	A (in)	A (mm)	B (in)	B (mm)	C (in)	Weight (lbs)
1005707	3/4"	3.16"	80.26	2.67"	67.80	1/2" NPT	0.9 lbs
1005710	1"	3.70"	93.98	3.30"	83.82	3/4" NPT	1.42 lbs
1005715	1 1/2"	4.92"	125	4.10"	104.14	1" NPT	2.72 lbs
1005720	2"	5.90"	150	5.25"	133.35	1-1/4" NPT	4.60 lbs